

KYTOLA® Model V Variable Area Flow Meter is designed for reliable measuring and monitoring of liquid and gas flows.

It comes in a range of different options and offers a choice of end blocks – aluminium, stainless steel AISI 316 or polyamide.



- Sturdy construction
- Impact resistant flow tube
- Model VE in multi-tube versions
- Scales for alternative liquids and gases

ISO 9001:2008 ISO 14001:2004

FLOW METER VD, VE, VL

FEATURES

Large selection of materials

Alarm-ready

Models VD and VE with built-in flow adjustment valve and quick change flow tube

TYPICAL APPLICATIONS

Lubrication oil measurement

Sealing and cooling water measurement

Flush water applications

Gas flow measurements

OPTIONS

Low and high flow alarm

Constant flow regulator

Viton or EPDM seals

PES flow tube

Model	VDA	VDH	VDK
End blocks	Aluminium	AISI 316	Nylon
Side plates	AISI 316	AISI 316	AISI 316
Max. pressure	30 bar	30 bar	20 bar
Max. temperature	80°C (*120°C)	80°C (*120°C)	80°C
Weight	0.75 kg	2.00 kg	0.95 kg
Valve housing	Aluminium	AISI 316	AISI 316
Valve spindle	AISI 316	AISI 316	AISI 316
Flow tube	Grilamid (PA-12) (*PES)		
Connections	BSP 1/2" or NPT 1/2"		
Float	AISI 329 or AISI 329/PTFE (depending on range)		
Seals	Nitrile (*Viton®, EPDM)		
Accuracy	±5% F.S. (H ₂ O, +20°C)		

*Special construction on request

VD

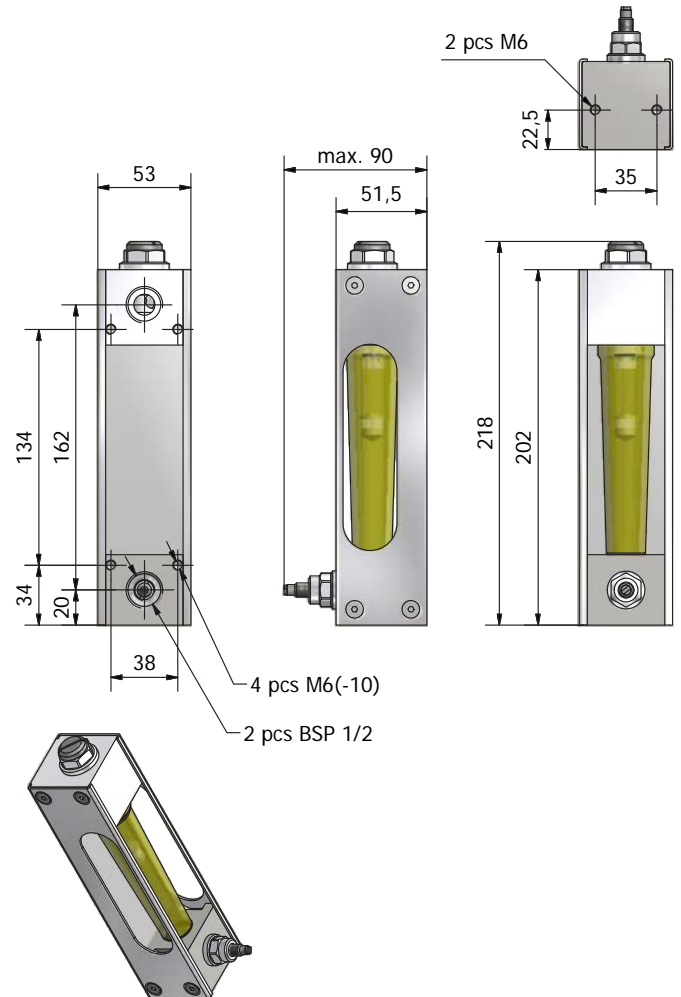
End Block Material		
Aluminium (not for H ₂ O)	A	
AISI 316	H	
Nylon	K	

Flow Range				
H ₂ O		Air		
0.4 – 2	L/min	15 – 75	NL/min	6H
0.75 – 3	L/min	30 – 130	NL/min	3H
1.5 – 5	L/min	40 – 180	NL/min	3K
2 – 9	L/min	80 – 280	NL/min	3L
2.5 – 10	L/min	75 – 325	NL/min	3M
3 – 16	L/min	100 – 600	NL/min	4N
4 – 17	L/min	100 – 650	NL/min	4D
4 – 22	L/min	100 – 1100	NL/min	4E
7.5 – 32.5	L/min	–		4F

Scale		
H ₂ O (L/min) at +20°C	A	
Air (NL/min) at +20°C/101.3 kPa	R	

Special Feature		
Alarm readiness	D	
BSP connections	blank	
NPT connections	N	
Grilamid flow tube, nitrile seals	blank	
PES flow tube, nitrile seals	V	
PES flow tube, Viton® seals	W	
Grilamid flow tube, Viton® seals	X	

Standard feature: leave *blank*
Special feature: choose **Character**



Model	VEA	VEH	VEK
End blocks	Aluminium	AISI 316	Nylon
Side plates	AISI 316	AISI 316	AISI 316
Max. pressure	30 bar	30 bar	20 bar
Max. temperature	80°C (*120°C)	80°C (*120°C)	80°C
Weight	0.75 kg	2.00 kg	0.95 kg
Valve housing	Aluminium	AISI 316	AISI 316
Valve spindle	AISI 316	AISI 316	AISI 316
Flow tube	Grilamid (PA-12) (*PES)		
Connections	BSP 1/2" or NPT 1/2"		
Float	AISI 329 or AISI 329/PTFE (depending on range)		
Seals	Nitrile (*Viton®, EPDM)		
Accuracy	±5% F.S. (H ₂ O, +20°C)		

*Special construction on request

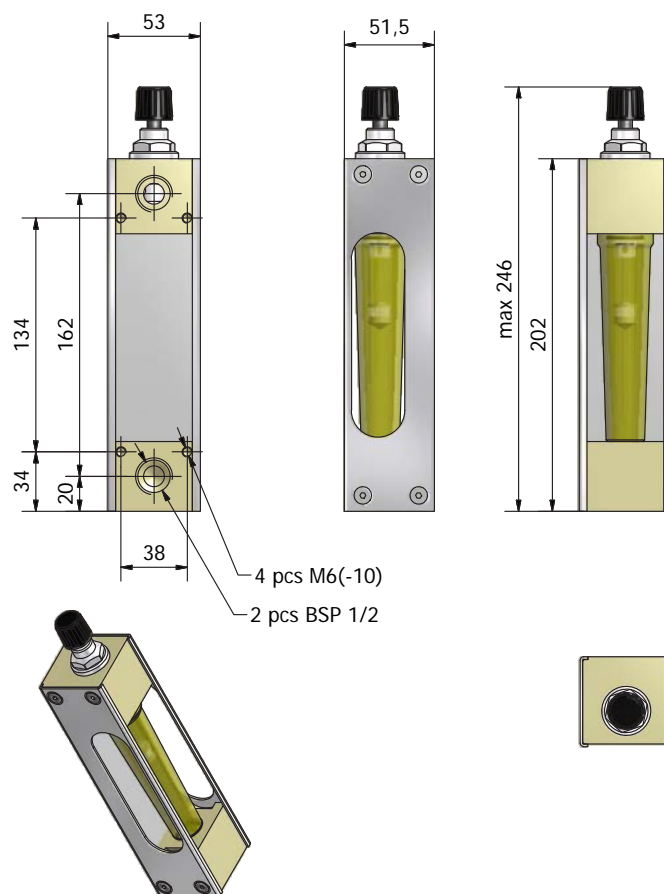
End Block Material		VE
Aluminium (not for H ₂ O)	A	■
AISI 316	H	■
Nylon	K	■

Flow Range				VE
H ₂ O		Air		
0.4 – 2	L/min	15 – 70	NL/min	6H
0.75 – 3	L/min	30 – 130	NL/min	3H
1.5 – 5	L/min	40 – 170	NL/min	3K
2 – 9	L/min	60 – 260	NL/min	3L
2.5 – 10	L/min	75 – 300	NL/min	3M
2 – 15	L/min	75 – 400	NL/min	4N
4 – 17	L/min	100 – 450	NL/min	4D
4 – 22	L/min	100 – 650	NL/min	4E
5 – 30	L/min	150 – 700	NL/min	4F

Scale		VE
H ₂ O (L/min) at +20°C	A	■
Air (NL/min) at +20°C/101.3 kPa	R	■

Special Feature		VE
Alarm readiness	D	■
BSP connections	blank	■
NPT connections	N	■
Grilamid flow tube, nitrile seals	blank	■
PES flow tube, nitrile seals	V	■
PES flow tube, Viton® seals	W	■
Grilamid flow tube, Viton® seals	X	■

Standard feature: leave blank
Special feature: choose Character



Model	VLA	VLH	VLK
End blocks	Aluminium	AISI 316	Nylon
Side plates	AISI 316	AISI 316	AISI 316
Max. pressure	30 bar	30 bar	20 bar
Max. temperature	80°C (*120°C)	80°C (*120°C)	80°C
Weight	0.75 kg	2.00 kg	0.95 kg
Flow tube	Grilamid (PA-12) (*PES)		
Connections	BSP 1/2" or NPT 1/2"		
Float	AISI 329 or AISI 329/PTFE (depending on range)		
Seals	Nitrile (*Viton®, EPDM)		
Accuracy	±5% F.S. (H ₂ O, +20°C)		

*Special construction on request

VL - -

End Block Material				
Aluminium (not for H ₂ O)				A
AISI 316				H
Nylon				K

Flow Range				
H ₂ O		Air		
0.4 – 2	L/min	15 – 75	NL/min	6H
0.75 – 3.25	L/min	30 – 130	NL/min	3H
1.5 – 5.5	L/min	40 – 180	NL/min	3K
2 – 9	L/min	80 – 300	NL/min	3L
3 – 10	L/min	75 – 325	NL/min	3M
2 – 16	L/min	75 – 450	NL/min	4N
3 – 17	L/min	100 – 500	NL/min	4D
4 – 22	L/min	100 – 700	NL/min	4E
5 – 30	L/min	150 – 900	NL/min	4F

Scale		
H ₂ O (L/min) at +20°C		A
Air (NL/min) at +20°C/101.3 kPa		R

Special Feature		
Alarm readiness		D
BSP connections		<i>blank</i>
NPT connections		N
Grilamid flow tube, nitrile seals		<i>blank</i>
PES flow tube, nitrile seals		V
PES flow tube, Viton® seals		W
Grilamid flow tube, Viton® seals		X

Standard feature: leave *blank*
Special feature: choose Character

